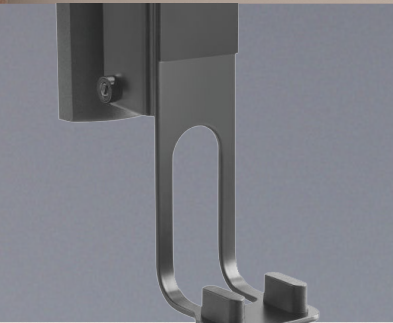
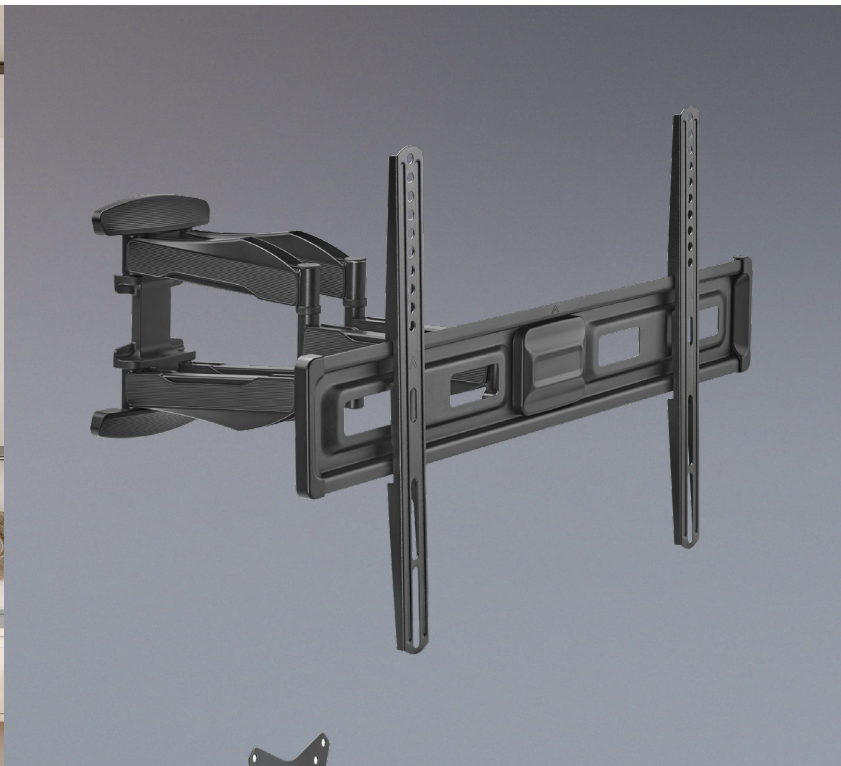


# PRODUCT NEWS

wentronic

## MOUNTS



# Freestanding Single Monitor Mount

for monitors from 17 to 32 inches (43 - 81 cm), max. 8 kg,  
fully flexible table stand



## Features

Perfect as a stable table mount for a screen weighing up to 8kg, height-adjustable,  $\pm 25^\circ$  swivelling and  $+10/-15^\circ$  tilting,  $180^\circ$  rotation

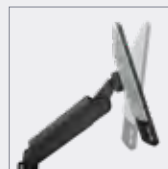
The free-standing monitor stand can be easily transported if required - without the need for time-consuming unscrewing from the table top and subsequent reattachment

In contrast to conventional, static monitor stands, this model can be flexibly adjusted in order to freely tilt and swivel the monitor

Thanks to the gas spring with flexible pressure level, you can easily bring the monitor into the ideal, ergonomic position at any time without any effort - whether for working, gaming or video calls

The integrated cable management system of the monitor arm protects the cables and creates a clean look without cable clutter

The monitor mount is compatible with the VESA® standards 75x75 mm and 100x100 mm



Availability	Item no.	EAN	RRP	Pcs./master carton	Pcs./PU	Length	Width	Height	Weight
● exp. from WEEK 44	70821	4040849708213	69.99 €	1	1	56.20 cm	22.00 cm	16.30 cm	0.005 kg

# Single Monitor Mount Gaming with Gas Spring

for XL monitors from 17 to 49 inches (43 - 124 cm), max. 20 kg, heavy-duty mount for heavy gaming and curved monitors



## Single Monitor Mount Gaming for large curved monitors

max. **20 KG**



**With Gas Spring Power**  
smooth adjustment,  
strong performance

## Features

Heavy-duty monitor stand for the safe handling of XL monitors in the gaming and office area: With its slim base, the robust metal monitor stand is the space-saving solution for the desk

Perfect for stable table mounting of a screen up to 20 kg, height-adjustable,  $\pm 90^\circ$  swivelling and  $+50^\circ/-20^\circ$  tilting,  $180^\circ$  rotation, recommended tabletop thickness: 12-50 mm

User-friendly installation thanks to the easy-access screw on the top of the base, without inconvenient attachment under the table and without moving heavy tables away from the wall

Thanks to the gas spring with flexible pressure level, you can easily bring the monitor into the ideal, ergonomic position at any time without any effort - whether for working, gaming or video calls

Installation is quick and easy with the included mounting material, either using a screw with drill hole or a table clamp that can be removed without leaving any residue

Incl. removable, VESA®-compatible mounting plate for easy replacement of individual monitors without tools

The monitor mount is compatible with the VESA® standards 75x75 mm and 100x100 mm



Availability	Item no.	EAN	RRP	Pcs./master carton	Pcs./PU	Length	Width	Height	Weight
● exp. from WEEK 44	74416	4040849744167	99.99 €	1	1	40.50 cm	19.60 cm	11.60 cm	0.004 kg

# Single Monitor Mount with Gas Spring

for monitors from 17 to 32 inches (43 - 81 cm), max. 9 kg, easy snap-in mounting of the arms



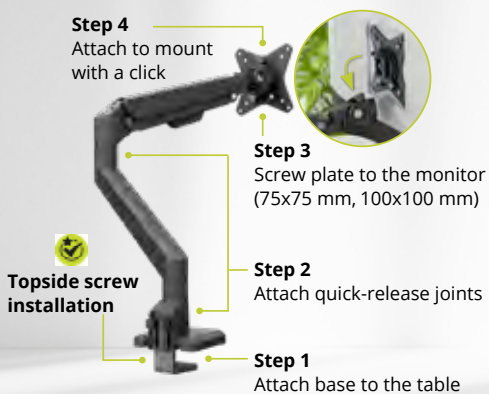
Pro Series: Maximum Comfort

max. **9 KG**

**17-32"**  
43-81 cm



## Assemble & Enjoy



## Features

The Pro series for the professional sector: With its slim base, the robust metal monitor stand is the space-saving solution for the desk in the office or at home

Perfect for stable table mounting of a screen up to 9 kg, height-adjustable,  $\pm 90^\circ$  swivelling and  $\pm 45^\circ$  tilting,  $180^\circ$  rotation, recommended table top thickness: 10-50 mm

User-friendly installation thanks to the easy-access screw on the top of the base, without inconvenient attachment under the table and without moving heavy tables away from the wall

Simple mounting: In a first step, screw the VESA®-compatible plate to the monitor, in a second step, hook it into the monitor mount and engage the lock

Thanks to the gas spring with flexible pressure level, you can easily bring the monitor into the ideal, ergonomic position at any time without any effort - whether for working, gaming or video calls

Installation is quick and easy with the included mounting material, either using a screw with drill hole or a table clamp that can be removed without leaving any residue

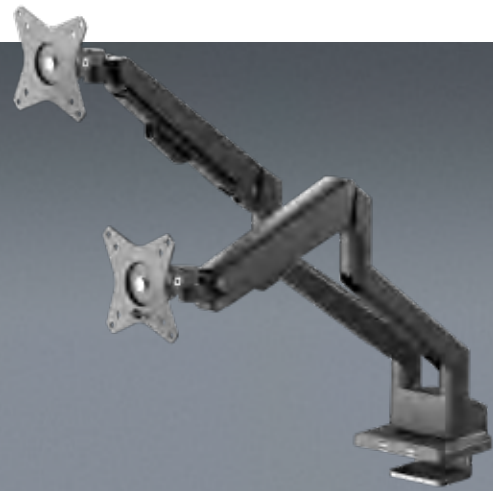
The monitor mount is compatible with the VESA® standards 75x75 mm and 100x100 mm



Availability	Item no.	EAN	RRP	Pcs./master carton	Pcs./PU	Length	Width	Height	Weight
● exp. from WEEK 44	70813	4040849708138	79.99 €	1	1	41.50 cm	20.50 cm	11.50 cm	0.003 kg

# Dual Monitor Mount with Gas Spring

for monitors from 17 to 32 inches (43 - 81 cm), max. 9 kg per monitor, easy snap-in mounting of the arms



**Pro Series: Maximum Comfort**



## Features

The Pro series for the professional sector: With its slim base, the robust metal monitor stand is the space-saving solution for desks in the office or at home

Perfect for stable table mounting of two screens up to 9 kg each, height-adjustable,  $\pm 90^\circ$  swivelling and  $\pm 45^\circ$  tilting,  $180^\circ$  rotation, recommended tabletop thickness: 10-50 mm

User-friendly installation thanks to the easy-access screw on the top of the base, without inconvenient attachment under the table and without moving heavy tables away from the wall

Simple mounting: In a first step, screw the VESA®-compatible plate to the monitor, in a second step, hook it into the monitor mount and engage the lock

Thanks to the gas spring with flexible pressure level, you can easily bring the monitor into the ideal, ergonomic position at any time without any effort - whether for working, gaming or video calls

Installation is quick and easy with the included mounting material, either using a screw with drill hole or a table clamp that can be removed without leaving any residue

The monitor mount is compatible with the VESA® standards 75x75 mm and 100x100 mm

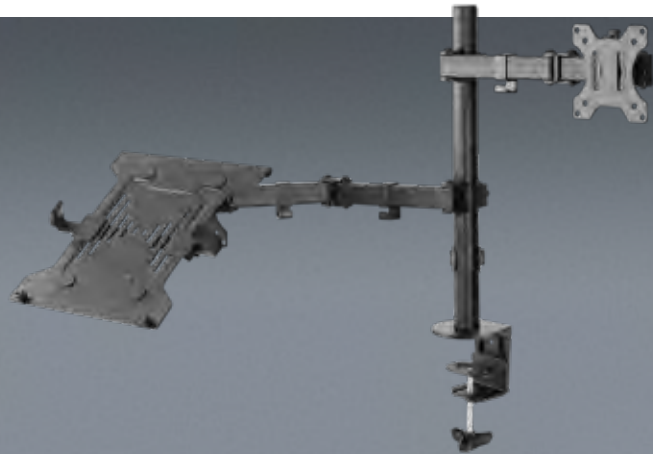


**With Easy-Access-Screw**  
quick & easy  
top-side installation

Availability	Item no.	EAN	RRP	Pcs./master carton	Pcs./PU	Length	Width	Height	Weight
● exp. from WEEK 44	70814	4040849708145	129.99 €	1	1	41.70 cm	19.80 cm	15.50 cm	0.005 kg

# Monitor Mount with Laptop Arm Flex

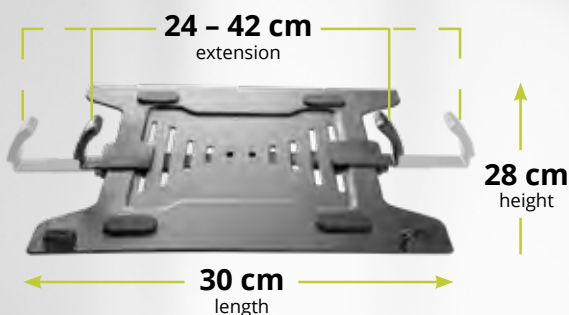
workstation for monitors from 13 to 32 inches (33 - 81 cm) plus a laptop, monitor max. 8 kg/ laptop 4.5 kg



## Monitor Mount & Laptop Arm the perfect workstation



### Highly Flexible perfectly fits your laptop



## Features

Flexible monitor mount with shelf for a mobile laptop, which can be used as a second monitor in the office and taken to meetings at any time

Perfect for stable table mounting of a screen up to 8 kg and a laptop up to 4.5 kg, height-adjustable,  $\pm 90^\circ$  swivelling and  $\pm 45^\circ$  tilting,  $180^\circ$  rotation, recommended tabletop thickness: 10-88 mm

With the slim base, the robust monitor stand is the space-saving solution for the desk at home or in the office

With ventilation slots for effective air circulation, the laptop stand prevents potential heat build-up under the device

The integrated cable management system of the monitor arm protects the cables and creates a clean look without cable clutter

Installation is quick and easy with the included mounting material, either using a screw with drill hole or a table clamp that can be removed without leaving any residue

The monitor mount is compatible with the VESA® standards 75x75 mm and 100x100 mm



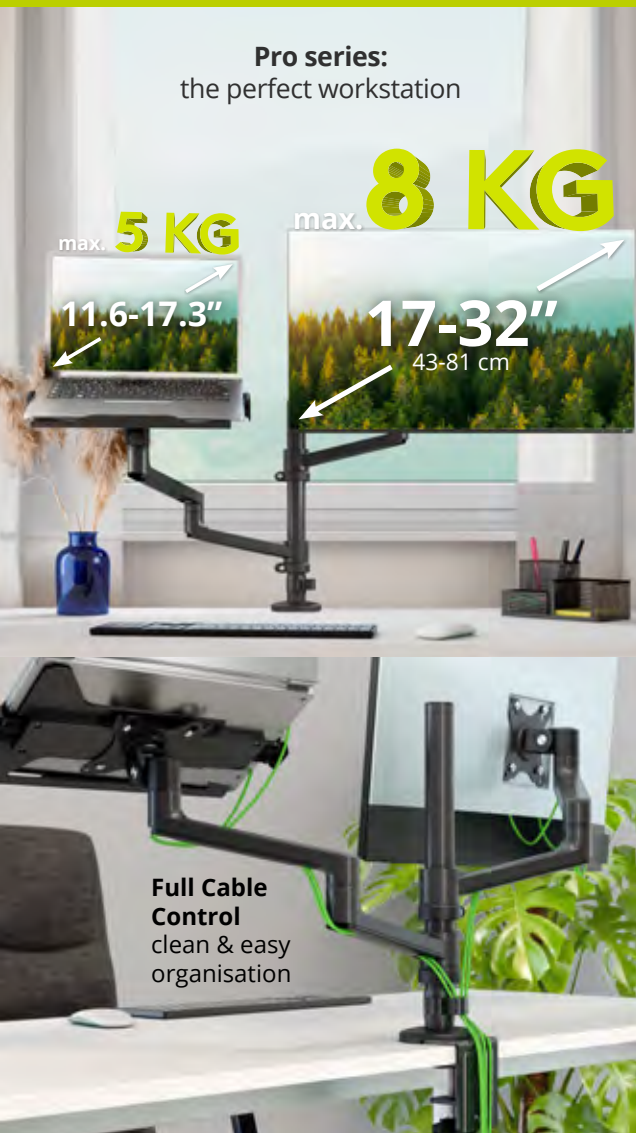
Availability	Item no.	EAN	RRP	Pcs./master carton	Pcs./PU	Length	Width	Height	Weight
● exp. from WEEK 44	70815	4040849708152	59.99 €	1	1	44.80 cm	30.50 cm	13.00 cm	0.006 kg

# Deluxe Monitor Mount with Laptop Arm

workstation for monitors from 17 to 32 inches (43 - 81 cm) plus a laptop, monitor max. 8 kg/ laptop 5 kg, easy snap-in mounting of the arms



**Pro series:**  
the perfect workstation



## Features

The Pro series for the professional sector: Robust monitor holder with shelf for a mobile laptop that can be used as a second monitor in the office and taken to meetings at any time

Perfect for stable tabletop mounting of a screen up to 8 kg and a laptop up to 5 kg, height-adjustable,  $\pm 90^\circ$  swivelling and  $+90^\circ/-30^\circ$  tilting,  $180^\circ$  rotation, recommended tabletop thickness: 10-80 mm

The padded clamping jaws can be flexibly adjusted to the size of the laptop and ensure a secure hold

User-friendly installation thanks to the easy-access screw on the top of the base, without inconvenient attachment under the table and without moving heavy tables away from the wall

Installation is quick and easy with the included mounting material, either using a screw with drill hole or a table clamp that can be removed without leaving any residue

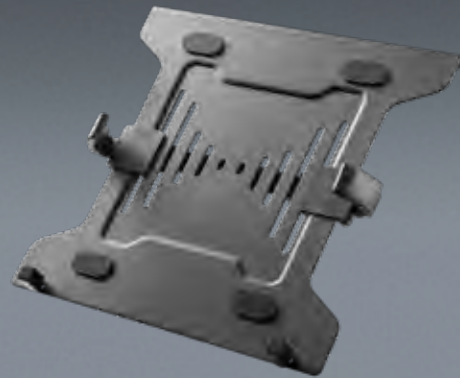
The monitor mount is compatible with the VESA® standards 75x75 mm and 100x100 mm



Availability	Item no.	EAN	RRP	Pcs./master carton	Pcs./PU	Length	Width	Height	Weight
● exp. from WEEK 44	74417	4040849744174	119.99 €	1	1	43.00 cm	24.00 cm	16.00 cm	0.006 kg

# Laptop Mount for Monitor Arm

for laptops from 10 to 15.6 inches (25 - 40 cm), max. 4.5 kg, for mounting on a monitor mount



## Laptop Mount

perfect addition to your workstation

## Features

Practical, robust metal laptop mount for monitor arms with VESA®-compatible mounting plates

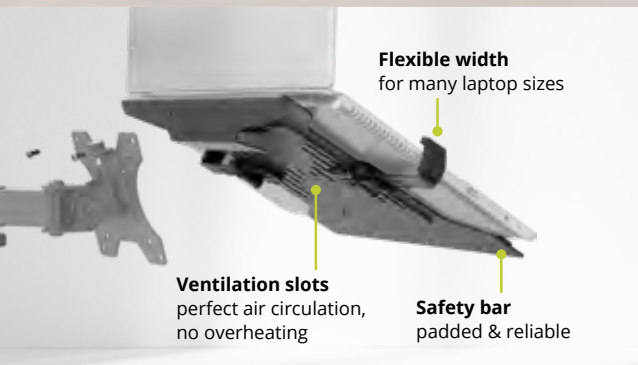
Perfect as a holder for a mobile laptop, which can be used as the main or second monitor in the office and taken to meetings at any time

With clamping jaws to hold the device firmly and securely in position

With ventilation slots for effective air circulation, the laptop stand prevents potential heat build-up under the device

Can be used flexibly as a laptop or projector stand

The laptop stand is compatible with the VESA® standards 75x75 mm and 100x100 mm



**Flexible width**  
for many laptop sizes

**Ventilation slots**  
perfect air circulation,  
no overheating

**Safety bar**  
padded & reliable

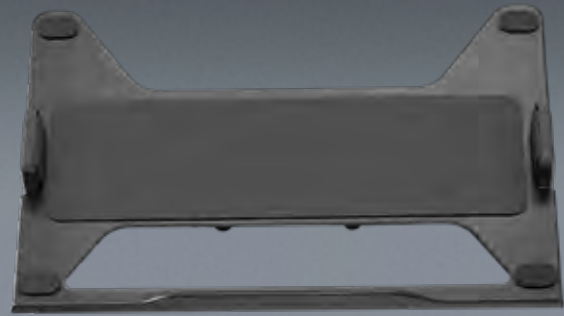


Availability	Item no.	EAN	RRP	Pcs./master carton	Pcs./PU	Length	Width	Height	Weight
● exp. from WEEK 44	70817	4040849708176	19.99 €	12	1	32.00 cm	28.80 cm	5.00 cm	0.001 kg



# Deluxe Laptop Mount for Monitor Arm

for laptops from 11.6 to 17.3 inches (29 - 44 cm), max. 9 kg, for mounting on a monitor mount



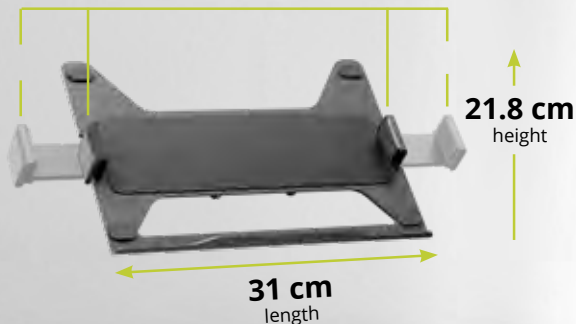
**A Trio for Success:**  
flexible, padded and resilient

max. **9 KG**

**11.6-17.3"**



**28.7 – 46.5 cm**  
extension



## Features

Practical, robust metal laptop holder for monitor arms with VESA®-compatible mounting plates

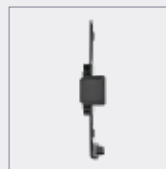
Perfect as a holder for a mobile laptop, which can be used as the main or second monitor in the office and taken to meetings at any time

With padded clamping jaws to hold the laptop firmly and securely in position without scratching or damaging the device

With ventilation slots for effective air circulation, the laptop stand prevents potential heat build-up under the device

Can be used flexibly as a laptop or projector stand

The laptop stand is compatible with the VESA® standards 75x75 mm and 100x100 mm



Availability	Item no.	EAN	RRP	Pcs./master carton	Pcs./PU	Length	Width	Height	Weight
● exp. from WEEK 44	70818	4040849708183	24.99 €	16	1	35.50 cm	23.50 cm	4.50 cm	0.001 kg

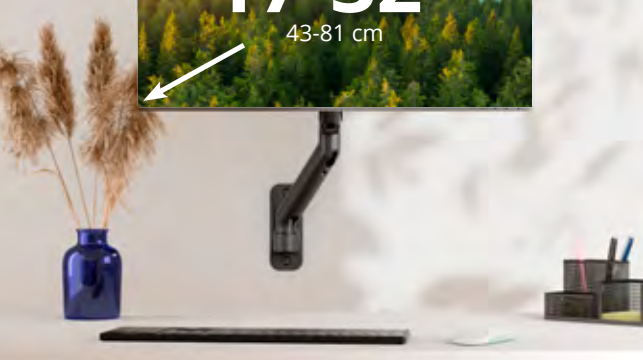
# Single Monitor Wall Mount, with mechanical spring

for monitors from 17 to 32 inches (43 - 81 cm), max. 9 kg, for wall mounting



**Single Monitor Wall Mount**  
space-saving for the workplace or in retail

max. **9 KG**



## Features

The robust metal wall mount is the space-saving solution for monitors - wherever there is no table or insufficient space

Handy solution for the workstation in the office or mobile office, but also for POS applications in retail and for attaching information monitors

Perfect for stable desk mounting of a screen up to 9 kg, height adjustable,  $\pm 90^\circ$  swivelling and  $\pm 90^\circ$  tilting,  $180^\circ$  rotation

Thanks to the mechanical spring with flexible pressure level, you can easily bring the monitor into the ideal, ergonomic position at any time without any effort - whether for working, gaming or video calls

The integrated cable management system of the monitor arm protects the cables and creates a clean look without cable clutter

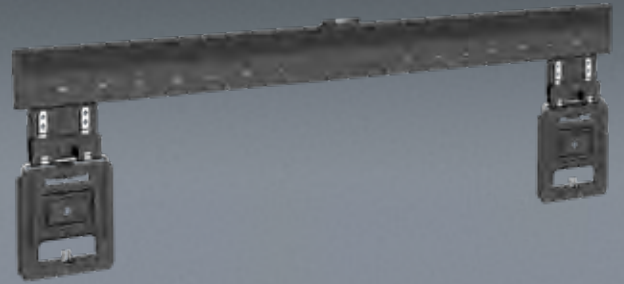
The monitor mount is compatible with the VESA® standards 75x75 mm and 100x100 mm



Availability	Item no.	EAN	RRP	Pcs./master carton	Pcs./PU	Length	Width	Height	Weight
● exp. from WEEK 44	70820	4040849708206	49.99 €	1	1	36.50 cm	16.00 cm	10.30 cm	0.002 kg

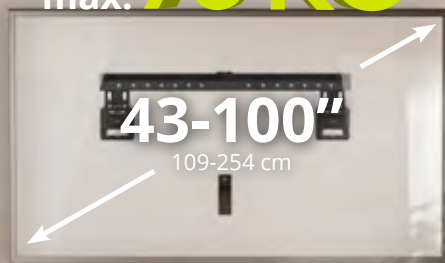
# Ultraslim TV Wall Mount Basic FIXED (XL)

mount for TVs from 43 to 100 inches (109 – 254 cm),  
max. 75 kg, ultra-flat design with 9.5 mm wall distance



**TV Wall Mount Ultraslim**  
flat mounting for XL televisions

max. **75 KG**



**Foldable Kickstand**  
cable management  
made easy



## Features

Extremely flat TV mount with a wall clearance of just 9.5 mm, which means that the device looks almost flush with the wall and does not protrude into the room

Perfect for particularly large and heavy TV sets up to 100 inches (254 cm) and 75 kg, which can be easily and quickly attached using snap-on mounting

For precise installation and alignment, the crossbar has convenient, VESA®-compatible distance markings and a built-in spirit level

The suspension brackets are laterally adjustable and therefore easy to align with the VESA®-compatible markings

The supplied support can be wedged between the appliance and the wall as required, creating space to simplify the process of connecting cables

The TV wall bracket is suitable for most curved and flat screen TVs from popular brands, e.g. Samsung (QLED and LED), Sony, Philips and LG as well as many sizes, e.g. 50 inch, 55 inch, 58 inch, 65 inch, 75 inch, 85 inch

Compatible with VESA® standards 200x200 mm, 300x200 mm, 400x200 mm, 300x300 mm, 400x300 mm, 400x400 mm, 600x400 mm, 800x400 mm, 800x600 mm

Availability	Item no.	EAN	RRP	Pcs./master carton	Pcs./PU	Length	Width	Height	Weight
● exp. from WEEK 46	70822	4040849708220	49.99 €	10	1	47.50 cm	15.00 cm	4.00 cm	1.850 kg

# Ceiling TV Mount Basic (M)

mount for TVs from 23 to 55 inches (58 – 140 cm), max. 20 kg, swivels sideways, ceiling angle variably adjustable, with flip-up and locking function



## Features

Practical TV mount for installation on sloping ceilings, in or under cupboards and in various work areas

Perfect for confined spaces: The secure snap-in function folds up the mount when not in use to create more space in the room and in or under cabinets

The swivel mechanism in the ceiling mount allows for swivelling the TV by  $\pm 45^\circ$  to achieve an optimised viewing angle

The height of the TV can be set using the adjustable rail (minimum TV height: 520 mm, maximum height: 614 mm)

The TV wall bracket is suitable for most curved and flat screen TVs from popular brands, e.g. Samsung (QLED and LED), Sony, Philips and LG as well as many sizes, e.g. 32 inch, 40 inch, 43 inch, 50 inch, 55 inch

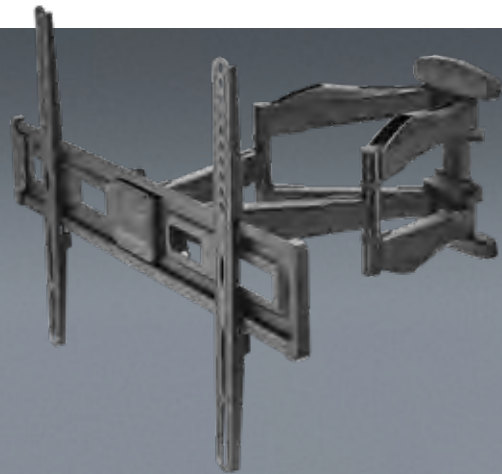
Compatible with VESA® standards 75x75 mm, 100x100 mm, 100x200 mm, 200x100 mm, 200x200 mm, 200x300 mm, 300x200 mm, 200x400 mm, 400x200 mm, 300x300 mm, 300x400 mm, 400x300 mm, 400x400 mm



Availability	Item no.	EAN	RRP	Pcs./master carton	Pcs./PU	Length	Width	Height	Weight
● exp. from WEEK 46	70824	4040849708244	39.99 €	8	1	42.00 cm	23.00 cm	9.00 cm	2.360 kg

# TV Wall Mount Basic FULLMOTION (L)

mount for TVs from 37 to 80 inches (94 – 203 cm),  
max. 45 kg, fully flexible: swivels and tilts



**Power Combination:**  
flexible & robust

max. **45 KG**



## Features

Maximum flexible TV mount for an optimised viewing angle:  
+3/-12° tiltable (up/down), +60/-60° swivelling (left/right),  
47.5 cm extendable

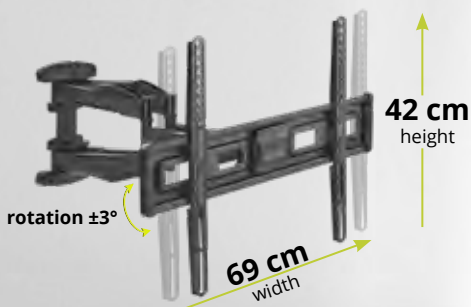
For a discreet room appearance, the mount achieves a minimum wall clearance of 5.5 cm so that the TV does not protrude/extend into the room

The infinitely adjustable, double scissor arm joint ensures stable guidance when extending the mount and a reliable hold

The integrated cable management system protects the connection cables and ensures a clean look without cable clutter

The TV wall bracket is suitable for most curved and flat screen TVs from popular brands, e.g. Samsung (QLED and LED), Sony, Philips and LG as well as many sizes, e.g. 50 inch, 55 inch, 58 inch, 65 inch, 75 inch

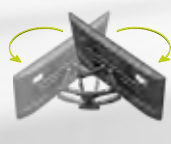
Compatible with VESA® standards 200x200 mm, 200x300 mm, 300x200 mm, 200x400 mm, 400x200 mm, 300x300 mm, 300x400 mm, 400x300 mm, 600x200 mm, 400x400 mm, 600x300 mm, 600x400 mm



tilts +3° ~ -12°

extends 47.5 cm

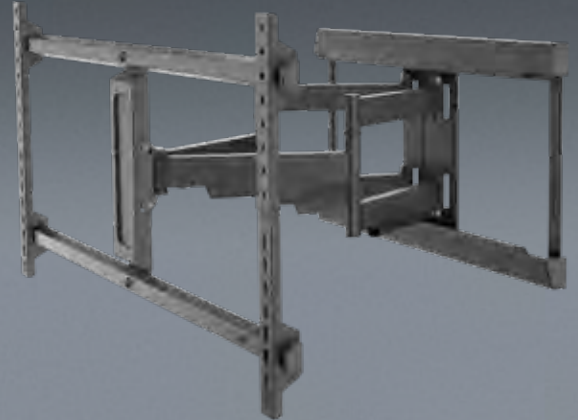
swivels ±60°



Availability	Item no.	EAN	RRP	Pcs./master carton	Pcs./PU	Length	Width	Height	Weight
● exp. from WEEK 46	71199	4040849711992	49.99 €	4	1	73.00 cm	27.00 cm	7.00 cm	4.720 kg

# TV Wall Mount Pro FULLMOTION (XL)

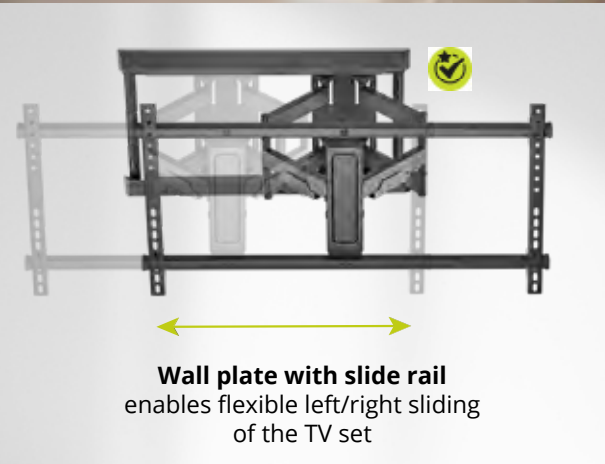
mount for TVs from 43 to 90 inches (109 – 229 cm),  
max. 60 kg, fully flexible: swivels, tilts, sideways  
adjustable



**Pro Series:**

fully flexible for heavy devices

max. **60 KG**



**Features**

Maximum flexible TV mount for an optimised viewing angle:  
+5/-10° tiltable (up/down), +60/-60° swivelling (left/right),  
53.6 cm extendable

Easy to install: In a first step, attach the mounting rail to the monitor,  
in a second step, hook the rail into the TV mount

The scissor joint can be moved sideways along the wall mounting,  
allowing more flexible alignment of the TV than conventional mounts

The infinitely adjustable, double scissor arm joint ensures stable  
guidance when extending the mount and a reliable hold

The integrated cable management system protects the connection  
cables and ensures a clean look without cable clutter

The TV wall bracket is suitable for most curved and flat screen TVs  
from popular brands, e.g. Samsung (QLED and LED), Sony, Philips  
and LG as well as many sizes, e.g. 50 inch, 55 inch, 58 inch, 65 inch,  
75 inch, 85 inch

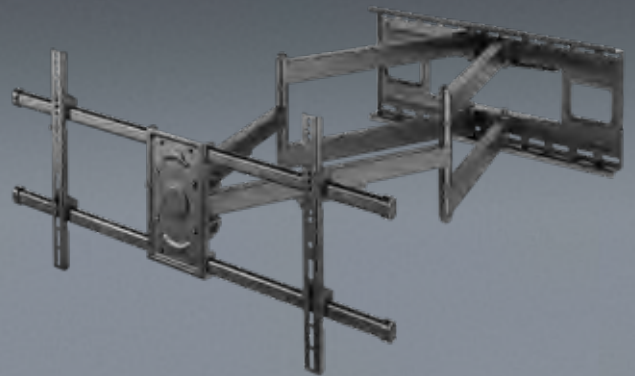
Compatible with VESA® standards 200x100 mm, 200x200 mm,  
300x200 mm, 400x200 mm, 300x300 mm, 400x300 mm,  
400x400 mm, 600x400 mm, 800x400 mm



Availability	Item no.	EAN	RRP	Pcs./master carton	Pcs./PU	Length	Width	Height	Weight
● exp. from WEEK 46	71216	4040849712166	89.99 €	2	1	91.50 cm	46.00 cm	7.00 cm	9.300 kg

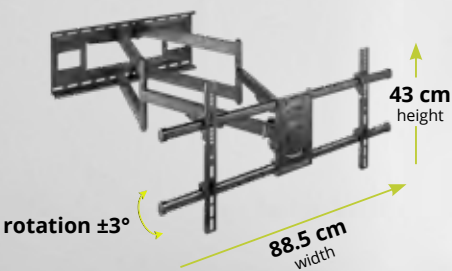
# Wide Range TV Wall Mount Pro FULLMOTION (XL)

mount for TVs from 43 to 90 inches (109 – 229 cm),  
max. 80 kg, extendable up to 104.5 cm,  
fully flexible: swivels and tilts



**Wide Range**  
Pro series: the heavyweight champion

max. **80 KG**



tilts +5° ~ -15°

extends 104.5 cm

swivels ±60°



## Features

Maximum flexible TV mount for an optimised viewing angle:  
+5/-15° tiltable (up/down), +60/-60° swivelling (left/right),  
104.5 cm extendable

By extending the mount up to 104.5 cm, the TV is in view even  
from difficult angles, e.g. from adjacent rooms

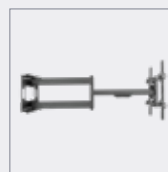
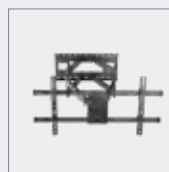
With quick-release function to quickly and easily detach the TV  
from the mount

The infinitely adjustable, double scissor arm joint ensures stable  
guidance when extending the mount and a reliable hold

The integrated cable management system protects the connection  
cables and ensures a clean look without cable clutter

The TV wall bracket is suitable for most curved and flat screen TVs  
from popular brands, e.g. Samsung (QLED and LED), Sony, Philips  
and LG as well as many sizes, e.g. 50 inch, 55 inch, 58 inch, 65 inch,  
75 inch, 85 inch

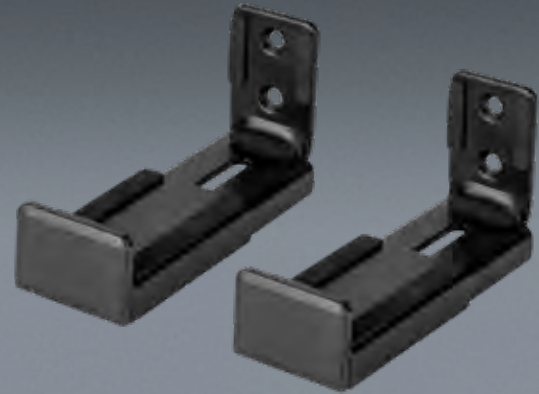
Compatible with VESA® standards 200x200 mm, 300x200 mm,  
400x200 mm, 300x300 mm, 400x300 mm, 400x400 mm,  
600x400 mm, 800x400 mm



Availability	Item no.	EAN	RRP	Pcs./master carton	Pcs./PU	Length	Width	Height	Weight
● exp. from WEEK 46	71197	4040849711978	139.99 €	1	1	111.00 cm	35.50 cm	8.50 cm	16.400 kg

# Universal Soundbar Wall Mount

secure, discreet mount with padded feet for all common soundbars



**Perfect Sound Experience**  
sets the stage for all common soundbar models



## Features

Variably adjustable mount for most common soundbars up to a depth of 90-154 mm, e.g. from Samsung, LG, Sonos, Sennheiser, Teufel or JBL

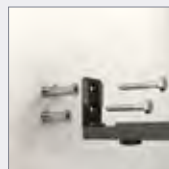
The padded feet prevent scratches on the soundbar and neutralise potential vibrations during audio playback

With its compact and discreet design, the soundbar mount blends perfectly into any room concept

The locking screw on the underside enables quick and easy adjustment and a secure hold in the selected position

Using screw mounting, the speaker bracket is easily attached to the wall

**Anti-slip pads**  
protect the soundbar from scratches

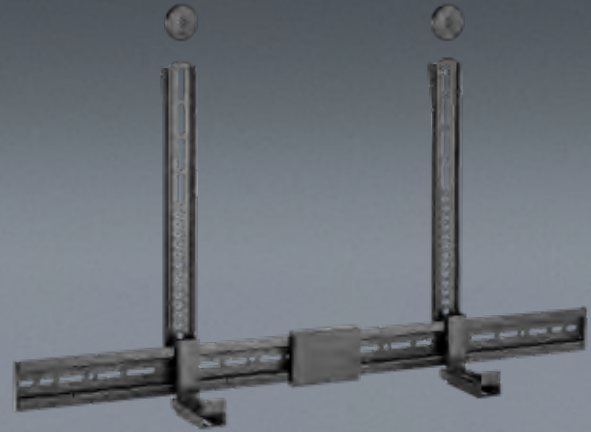


Availability	Item no.	EAN	RRP	Pcs./master carton	Pcs./PU	Length	Width	Height	Weight
● exp. from WEEK 48	70827	4040849708275	14.99 €	30	1	12.10 cm	8.40 cm	5.30 cm	0.001 kg



# Universal Soundbar Mount for TV Sets

secure, discreet mount with padded feet for all common soundbars



**Perfect Sound Experience**  
in tune with all common soundbar models



## Features

Variably adjustable mount for most common soundbars up to a depth of 86-155 mm, e.g. from Samsung, LG, Sonos, Sennheiser, Teufel or JBL

The robust mounting rail can be screwed to the wall or attached directly to the back of the TV (VESA®-compatible up to 800x400 mm)

When attached to the back of the TV, the soundbar can be positioned either above or below the TV set

The padded feet prevent scratches on the soundbar and neutralise potential vibrations during audio playback

With its compact and discreet design, the soundbar mount blends perfectly into any room concept

The locking screw on the underside enables quick and easy adjustment and a secure hold in the selected position

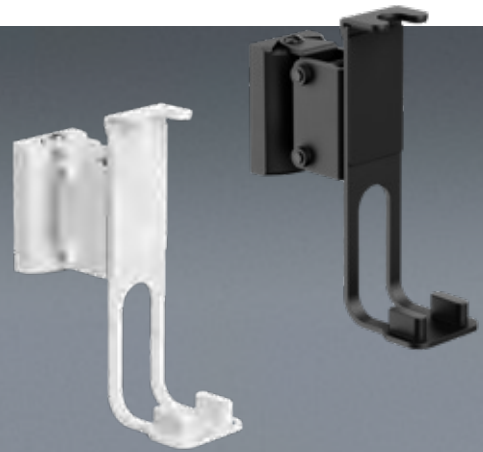
**Variably adjustable**  
designed to adapt



Availability	Item no.	EAN	RRP	Pcs./master carton	Pcs./PU	Length	Width	Height	Weight
● exp. from WEEK 48	70828	4040849708282	29.99 €	8	1	44.00 cm	13.60 cm	8.50 cm	0.003 kg

# Speaker Wall Mount One Sound Flex

2 pieces, compatible with the Sonos One and Sonos One SL,  
secure and fully flexible speaker mountg



## 2-Piece Set Speaker Wall Mounts made of robust metal



2 × max.

**3 KG**

## Features

Speaker mount made of robust metal for secure wall mounting of satellite speakers weighing up to 3 kg

Compatible with speakers such as the Sonos One, Sonos One SL, Sonos Play:1

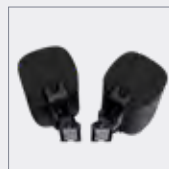
Thanks to the stable joints, the wall mount steplessly tilts up to -20° and swivels ±45°

The bracket can also be rotated by ±180° in order to hang the speaker upside down

With generous cable feed-through for conveniently connecting and disconnecting audio and mains cables

Using screw mounting, the speaker bracket is easily attached to the wall

**Full Cable Control**  
easily connect audio and mains cables  
via cable feed-through



Availability	Colour	Item no.	EAN	RRP	Pcs./master carton	Pcs./PU	Length	Width	Height	Weight
● exp. from WEEK 48	black	70829	4040849708299	29.99 €	15	1	39.70 cm	15.50 cm	5.60 cm	0.001 kg
● exp. from WEEK 48	white	71348	4040849713484	29.99 €	15	1	39.70 cm	15.50 cm	5.60 cm	0.001 kg

# Speaker Wall Mount Modern Era 1 Flex

2 pieces, compatible with the Sonos Era 100,  
swivelling and tilting speaker mount



**Individually positioned**  
for an immersive entertainment experience

2 × max.

**3 KG**



## Features

Speaker mount made of robust metal for secure wall mounting of satellite speakers weighing up to 3 kg

Compatible with speakers such as the Sonos Era 100

Due to its compact format, the mount can easily be positioned anywhere in order to achieve an excellent sound experience

Thanks to the stable joints, the wall mount steplessly tilts up to  $-18^\circ$  and swivels  $\pm 45^\circ$

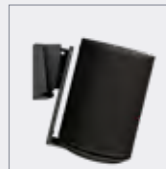
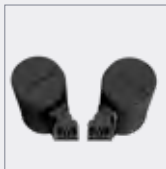
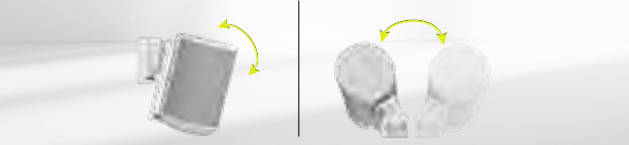
With generous cable feed-through for conveniently connecting and disconnecting audio and mains cables

Using screw mounting, the speaker bracket is easily attached to the wall



tilts  $+0^\circ \sim -18^\circ$

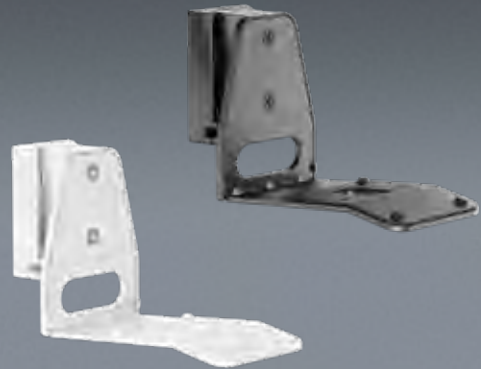
swivels  $\pm 45^\circ$



Availability	Colour	Item no.	EAN	RRP	Pcs./master carton	Pcs./PU	Length	Width	Height	Weight
● exp. from WEEK 48	black	71025	4040849710254	29.99 €	15	1	31.80 cm	17.80 cm	7.00 cm	0.002 kg
● exp. from WEEK 48	white	71982	4040849719820	29.99 €	15	1	31.80 cm	17.80 cm	7.00 cm	0.002 kg

# Speaker Wall Mount Modern Era 3 Flex

2 pieces, compatible with the Sonos Era 300, secure and discreet speaker mount



## 2-Piece Set Speaker Wall Mounts

sets the perfect scene for speakers such as Sonos Era 300

2 × max.

**5 KG**



## Full Cable Control

easily connect audio and mains cables via cable passage



## Features

Speaker mount made of robust metal for secure wall mounting of satellite speakers weighing up to 5 kg

Compatible with speakers such as the Sonos Era 300

Due to its compact format, the mount can easily be positioned anywhere in order to achieve an excellent sound experience

Thanks to the stable joints, the wall mount steplessly tilts up to  $-18^\circ$  and swivels  $\pm 45^\circ$

With generous cable feed-through for conveniently connecting and disconnecting audio and mains cables

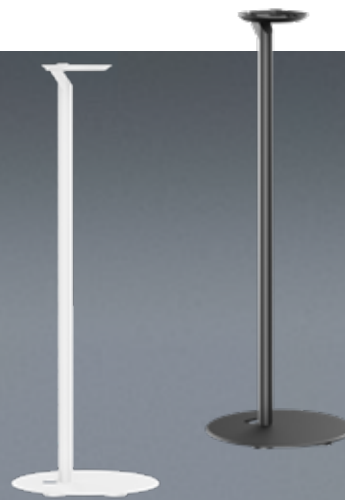
Using screw mounting, the speaker bracket is easily attached to the wall



Availability	Colour	Item no.	EAN	RRP	Pcs./master carton	Pcs./PU	Length	Width	Height	Weight
● exp. from WEEK 48	black	71194	4040849711947	29.99 €	10	1	20.00 cm	13.00 cm	8.30 cm	0.001 kg
● exp. from WEEK 48	white	71984	4040849719844	29.99 €	10	1	20.00 cm	13.00 cm	8.30 cm	0.001 kg

# Speaker Stand Modern Era 1 Base

2 pieces, compatible with the Sonos Era 100, with a minimalist design perfectly tailored to Sonos speakers



## 2× Speaker Stands

set the perfect scene for speakers such as Sonos Era 100

2 × max.

**3 KG**



## Full Cable Control

clean look thanks to cable management in the stand



## Features

Speaker mount made of robust metal for securely mounting satellite speakers weighing up to 3 kg

Compatible with speakers such as the Sonos Era 100

At 71.5 cm, the speaker stands are just the right height for an excellent listening and music experience while seated – on the sofa, at the desk or on the patio

The cable management is discreetly concealed in the base for a clean look without cable clutter

With cable feed-through for conveniently connecting and disconnecting audio and mains cables

The speaker is quickly and easily fastened to the stand using screw mounting

Availability	Colour	Item no.	EAN	RRP	Pcs./master carton	Pcs./PU	Length	Width	Height	Weight
● exp. from WEEK 48	black	71026	4040849710261	59.99 €	3	1	73.80 cm	27.50 cm	6.00 cm	0.005 kg
● exp. from WEEK 48	white	71983	4040849719837	59.99 €	3	1	73.80 cm	27.50 cm	6.00 cm	0.005 kg

# Speaker Stand Modern Era 3 Base

2 pieces, compatible with the Sonos Era 300, with a minimalist design perfectly tailored to Sonos speakers



## 2× Speaker Stands

set the perfect scene for speakers such as Sonos Era 300

2 × max.

**5 KG**



## Features

Speaker mount made of robust metal for securely mounting satellite speakers weighing up to 3 kg

Compatible with speakers such as the Sonos Era 300

At 71.5 cm, the speaker stands are just the right height for an excellent listening and music experience while seated – on the sofa, at the desk or on the patio

The cable management is discreetly concealed in the base for a clean look without cable clutter

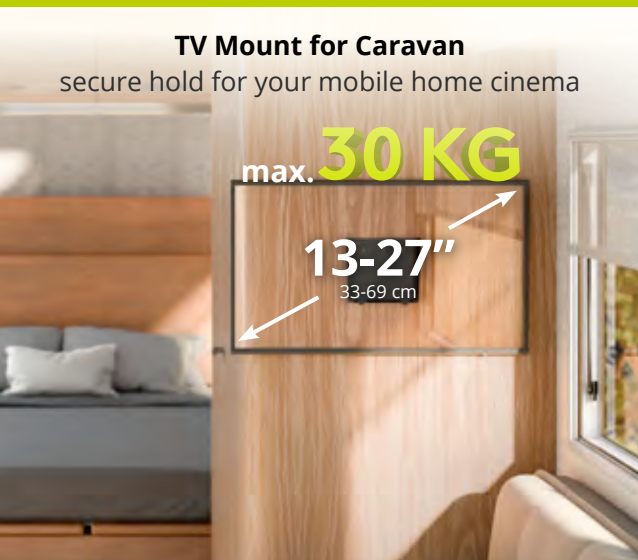
With cable feed-through for conveniently connecting and disconnecting audio and mains cables

The speaker is quickly and easily fastened to the stand using screw mounting

Availability	Colour	Item no.	EAN	RRP	Pcs./master carton	Pcs./PU	Length	Width	Height	Weight
● exp. from WEEK 48	black	71195	4040849711954	59.99 €	3	1	72.50 cm	26.50 cm	4.80 cm	0.005 kg
● exp. from WEEK 48	white	71985	4040849719851	59.99 €	3	1	72.50 cm	26.50 cm	4.80 cm	0.005 kg

# TV Wall Mount Caravan FIXED (S)

mount for TVs from 13 to 27 inches (33 – 69 cm),  
max. 30 kg, ultra-flat design with only 15 mm  
wall clearance



## TV Mount for Caravan

secure hold for your mobile home cinema

## Features

Designed for use in motorhomes or caravans, the wall mount has a locking mechanism and an anti-vibration joint for safe protection while travelling

With a wall clearance of just 15 mm, the TV mount can be attached to the wall in a particularly flat and space-saving way

Also suitable for heavy TV sets up to 30 kg

Easy to install: In a first step, screw the TV to the mounting plate and in a second step, slide it onto the previously attached wall rail

The TV wall mount is suitable for most flat screen TVs from popular brands, e.g. Samsung (QLED and LED), Sony, Philips and LG, as well as for many sizes

Compatible with VESA® standards 50x50 mm, 75x75 mm, 100x100 mm

## Assemble & Enjoy

1 Attach mount to the wall



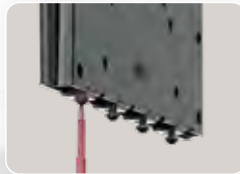
2 Attach mounting plate to the TV



3 Slide TV onto the wall rail



4 Tighten screws on the bottom side



Availability	Item no.	EAN	RRP	Pcs./master carton	Pcs./PU	Length	Width	Height	Weight
● exp. from WEEK 48	74414	4040849744143	9.99 €	24	1	14.50 cm	2.00 cm	13.50 cm	0.001 kg

# TV Wall Mount Caravan FIXED (M)

mount for TVs from 23 to 42 inches (58 – 107 cm),  
max. 30 kg, ultra-flat design with only 18 mm wall  
clearance



## TV Mount for Caravan

secure hold for your mobile home cinema



## Features

Designed for use in motorhomes or caravans, the wall mount has a locking mechanism and an anti-vibration joint for safe protection while travelling

With a wall clearance of just 18 mm, the TV mount can be attached to the wall in a particularly flat and space-saving way

Also suitable for heavy TV sets up to 30 kg

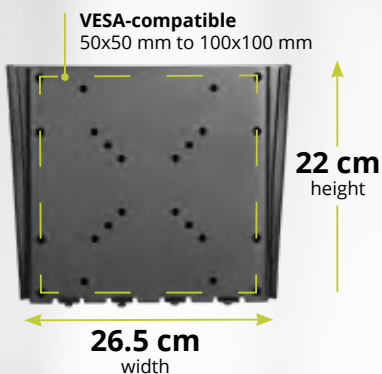
Easy to install: In a first step, screw the TV to the mounting plate and in a second step, slide it onto the previously attached wall rail

The TV wall mount is suitable for most flat screen TVs from popular brands, e.g. Samsung (QLED and LED), Sony, Philips and LG as well as for many sizes (e.g. 32 inch, 40 inch, 42 inch)

Compatible with VESA® standards 50x50 mm, 75x75 mm, 100x100 mm, 200x100 mm, 200x200 mm

## Travels with Your TV

suitable for TV sets with VESA holes



Availability	Item no.	EAN	RRP	Pcs./master carton	Pcs./PU	Length	Width	Height	Weight
● exp. from WEEK 48	74415	4040849744150	19.99 €	10	1	26.50 cm	2.50 cm	23.50 cm	0.002 kg



# TV Wall Mount Caravan TILT (M)

mount for TVs from 13 to 43 inches (33 – 109 cm),  
max. 15 kg, fully mobile: swivelling and tilting



**TV Mount for Caravan**  
secure hold for your mobile home cinema



## Features

Designed for use in motorhomes or caravans, the wall mount has a locking mechanism and an anti-vibration joint for safe protection while travelling

Perfect for stable wall mounting of a medium-sized TV up to 15 kg, tilts +45/-42° and swivels ±45° for the ideal viewing angle

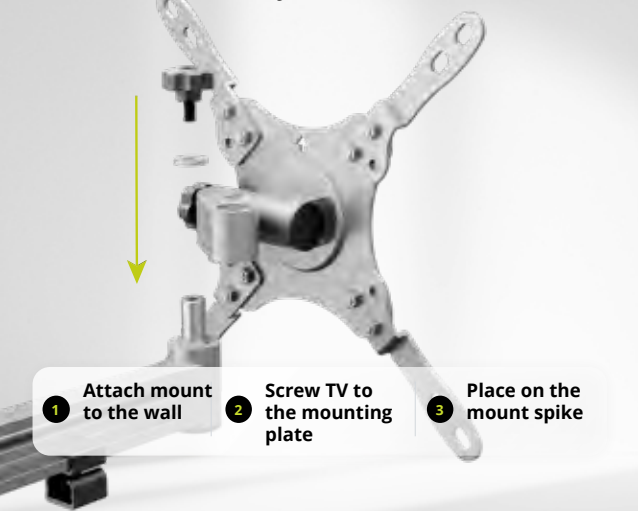
Easy to install: In a first first step, screw the TV to the mounting plate and in a second step, place it on the spike of the wall bracket

Wall mounting is quick and easy with the included mounting material (incl. spirit level for precise alignment)

The TV wall mount is suitable for most flat screen TVs from popular brands, e.g. Samsung (QLED and LED), Sony, Philips and LG as well as for many sizes (e.g. 32 inch, 40 inch, 43 inch)

Compatible with VESA® standards 75x75 mm, 100x100 mm, 200x100 mm, 200x200 mm

## Easy to install



Availability	Item no.	EAN	RRP	Pcs./master carton	Pcs./PU	Length	Width	Height	Weight
● exp. from WEEK 48	71987	4040849719875	19.99 €	16	1	18.50 cm	15.00 cm	5.00 cm	0.001kg

# TV Wall Mount Caravan FULLMOTION (M)

mount for TVs from 13 to 43 inches (33 – 109 cm),  
max. 15 kg, fully mobile: swivelling, tilting,  
extendable up to 23.6 cm



## TV Mount for Caravan

max. **15 KG**

**13-43"**  
33-109 cm

## Features

Designed for use in motorhomes or caravans, the wall mount has a locking mechanism and an anti-vibration joint for safe protection while travelling

Perfect for stable wall mounting of a medium-sized TV up to 15 kg, tilts +55/-45° and swivels ±90° at each joint for the ideal viewing angle

Extendable by up to 23.6 cm for extra flexibility

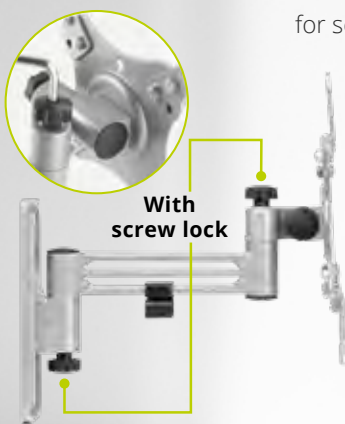
Easy to install: In a first step, screw the TV to the mounting plate and in a second step, place it on the spike of the wall bracket

Wall mounting is quick and easy with the included mounting material (incl. spirit level for precise alignment)

The TV wall mount is suitable for most flat screen TVs from popular brands, e.g. Samsung (QLED and LED), Sony, Philips and LG as well as for many sizes (e.g. 32 inch, 40 inch, 43 inch)

Compatible with VESA® standards 75x75 mm, 100x100 mm, 200x100 mm, 200x200 mm

**Firmly Locked**  
for secure protection  
while travelling



Availability	Item no.	EAN	RRP	Pcs./master carton	Pcs./PU	Length	Width	Height	Weight
● exp. from WEEK 48	71988	4040849719882	29.99 €	12	1	21.00 cm	18.80 cm	4.50 cm	0.002 kg

# TV Wall Mount Caravan FULLMOTION (M)

mount for TVs from 13 to 43 inches (33 – 109 cm), max. 15 kg, fully mobile: swivelling, tilting, extendable up to 38.6 cm



**TV Mount for Caravan**  
secure hold for your mobile home cinema



## Features

Designed for use in motorhomes or caravans, the wall mount has a locking mechanism and an anti-vibration joint for safe protection while travelling

Perfect for stable wall mounting of a medium-sized TV up to 15 kg, tilts +55/-45° and swivels ±90° at each joint for the ideal viewing angle

Extendable by up to 38.6 cm for extra flexibility

Easy to install: In a first step, screw the TV to the mounting plate and in a second step, place it on the spike of the wall bracket

Wall mounting is quick and easy with the included mounting material (incl. spirit level for precise alignment)

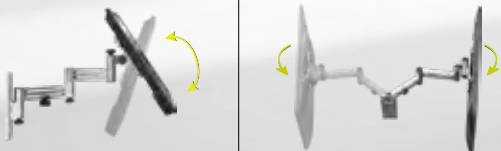
The TV wall mount is suitable for most flat screen TVs from popular brands, e.g. Samsung (QLED and LED), Sony, Philips and LG as well as for many sizes (e.g. 32 inch, 40 inch, 43 inch)

Compatible with VESA® standards 75x75 mm, 100x100 mm, 200x100 mm, 200x200 mm



tilts +55° ~ -45°

swivels ±90°



Availability	Item no.	EAN	RRP	Pcs./master carton	Pcs./PU	Length	Width	Height	Weight
● exp. from WEEK 48	71989	4040849719899	39.99 €	12	1	24.00 cm	20.00 cm	4.50 cm	0.001 kg